

# MITSUBISHI

## INDUSTRIAL POWER TRANSMISSION PRODUCTS CONVEYOR BELTS ENGINEERING PLASTIC



To give attentive consideration to both quality and nature.

All sizes of Mitsubishi Conventional V-belts respectively meet the dimensional requirements as stated in ARPM/RMA IP-20.

# Conventional V-Belts for ARPM / RMA IP-20 Wrapped Type / Raw Edge Cogged Type

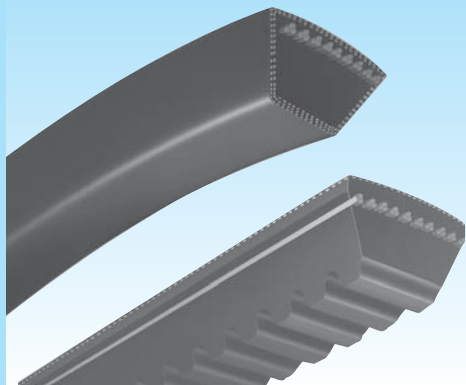
Conventional V-belts are the most widely used power transmission belts. Economical and easily-available for replacement.

Product Code

**A-40**

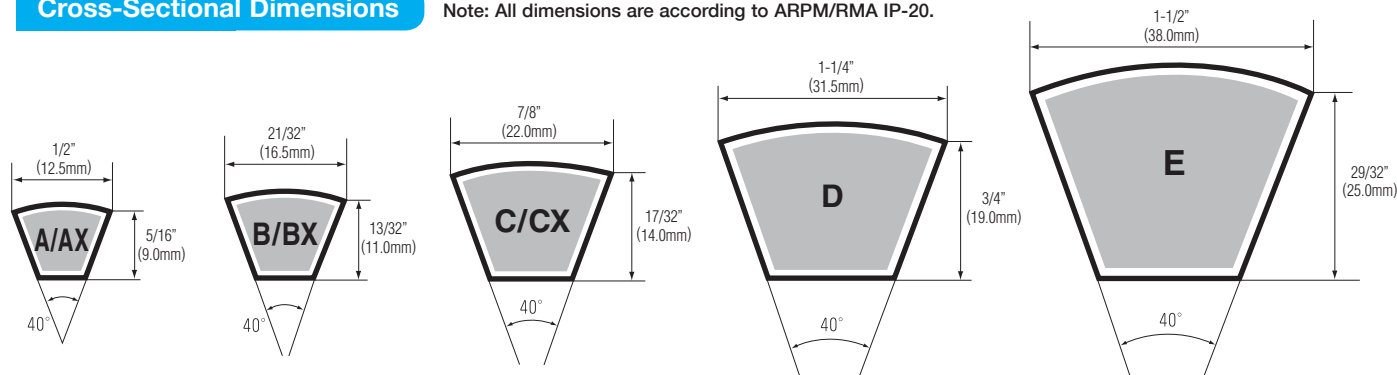
Cross Section

Belt Code (inch)



## Cross-Sectional Dimensions

Note: All dimensions are according to ARPM/RMA IP-20.



## Standard Belt Sizes

(Note) Above dimensions are nominal values.

A,AX							
Belt Code	Inside length Li (mm)	Outside length (mm)	Outside Length (In.)	Belt Code	Inside length Li (mm)	Outside length (mm)	Outside Length (In.)
20	508	563	22.2	75	1905	1958	77.1
21	533	588	23.1	76	1930	1983	78.1
22	559	613	24.1	77	1956	2013	79.3
23	584	638	25.1	78	1981	2038	80.2
24	610	663	26.1	79	2007	2063	81.2
25	635	688	27.1	80	2032	2088	82.2
26	660	713	28.1	81	2057	2113	83.2
27	686	743	29.3	82	2083	2138	84.2
28	711	743	29.3	83	2108	2163	85.2
29	737	793	31.2	84	2134	2188	86.1
30	762	818	32.2	85	2159	2213	87.1
31	787	843	33.2	86	2184	2238	88.1
32	813	868	34.2	87	2210	2263	89.1
33	838	893	35.2	88	2235	2288	90.1
34	864	918	36.1	89	2261	2313	91.1
35	889	943	37.1	90	2286	2343	92.2
36	914	968	38.1	91	2311	2368	93.2
37	940	993	39.1	92	2337	2393	94.2
38	965	1018	40.1	93	2362	2418	95.2
39	991	1043	41.1	94	2388	2443	96.2
40	1016	1073	42.2	95	2413	2468	97.2
41	1041	1098	43.2	96	2438	2493	98.1
42	1067	1123	44.2	97	2464	2520	99.2
43	1092	1148	45.2	98	2489	2545	100.2
44	1118	1173	46.2	99	2515	2570	101.2
45	1143	1198	47.2	100	2540	2596	102.2
46	1168	1223	48.1	102	2591	2647	104.2
47	1194	1248	49.1	105	2667	2723	107.2
48	1219	1273	50.1	108	2743	2799	110.2
49	1245	1298	51.1	110	2794	2850	112.2
50	1270	1323	52.1	112	2845	2901	114.2
51	1295	1348	53.1	115	2921	2977	117.2
52	1321	1378	54.3	118	2997	3053	120.2
53	1346	1403	55.2	120	3048	3104	122.2
54	1372	1428	56.2	122	3099	3155	124.2
55	1397	1453	57.2	125	3175	3231	127.2
56	1422	1478	58.2	128	3251	3307	130.2
57	1448	1503	59.2	130	3302	3358	132.2
58	1473	1528	60.2	135	3429	3485	137.2
59	1499	1553	61.1	140	3556	3612	142.2
60	1524	1578	62.1	145	3683	3739	147.2
61	1549	1603	63.1	150	3810	3866	152.2
62	1575	1628	64.1	155	3937	3993	157.2
63	1600	1653	65.1	160	4064	4120	162.2
64	1626	1678	66.1	165	4191	4247	167.2
65	1651	1708	67.2	170	4318	4374	172.2
66	1676	1733	68.2	155	3937	3993	157.2
67	1702	1758	69.2	160	4064	4120	162.2
68	1727	1783	70.2	165	4191	4247	167.2
69	1753	1808	71.2	170	4318	4374	172.2
70	1778	1833	72.2	180	4572	4628	182.2
71	1803	1858	73.1				
72	1829	1883	74.1				
73	1854	1908	75.1				
74	1880	1933	76.1				

Size range: 20" ~ 360"

: Available size for Raw Edge Cogged V-Belts AX

# Conventional V-Belts for ARPM / RMA IP-20 Wrapped Type / Raw Edge Cogged Type

## Standard Belt Sizes

### B, BX

Belt Code	Inside length Li (mm)	Outside length (mm)	Outside Length (In.)	Belt Code	Inside length Li (mm)	Outside length (mm)	Outside Length (In.)
25	635	709	27.9	80	2032	2104	82.8
26	660	734	28.9	81	2057	2134	84.0
27	686	759	29.9	82	2083	2159	85.0
28	711	784	30.9	83	2108	2184	86.0
29	737	809	31.9	84	2134	2209	87.0
30	762	834	32.8	85	2159	2234	88.0
31	787	864	34.0	86	2184	2259	88.9
32	813	889	35.0	87	2210	2284	89.9
33	838	914	36.0	88	2235	2309	90.9
34	864	939	37.0	89	2261	2334	91.9
35	889	964	38.0	90	2286	2359	92.9
36	914	989	38.9	91	2311	2384	93.9
37	940	1014	39.9	92	2337	2409	94.8
38	965	1039	40.9	93	2362	2439	96.0
39	991	1064	41.9	94	2388	2464	97.0
40	1016	1089	42.9	95	2413	2489	98.0
41	1041	1114	43.9	96	2438	2514	99.0
42	1067	1139	44.8	97	2464	2540	100.0
43	1092	1169	46.0	98	2489	2565	101.0
44	1118	1194	47.0	99	2515	2591	102.0
45	1143	1219	48.0	100	2540	2616	103.0
46	1168	1244	49.0	102	2591	2667	105.0
47	1194	1269	50.0	105	2667	2743	108.0
48	1219	1294	50.9	108	2743	2819	111.0
49	1245	1319	51.9	110	2794	2870	113.0
50	1270	1344	52.9	112	2845	2921	115.0
51	1295	1369	53.9	115	2921	2997	118.0
52	1321	1394	54.9	118	2997	3073	121.0
53	1346	1419	55.9	120	3048	3124	123.0
54	1372	1444	56.9	122	3099	3175	125.0
55	1397	1469	57.8	125	3175	3251	128.0
56	1422	1499	59.0	128	3251	3327	131.0
57	1448	1524	60.0	130	3302	3378	133.0
58	1473	1549	61.0	132	3353	3429	135.0
59	1499	1574	62.0	135	3429	3505	138.0
60	1524	1599	63.0	138	3505	3581	141.0
61	1549	1624	63.9	140	3556	3632	143.0
62	1575	1649	64.9	145	3683	3759	148.0
63	1600	1674	65.9	150	3810	3886	153.0
64	1626	1699	66.9	155	3937	4013	158.0
65	1651	1724	67.9	160	4064	4140	163.0
66	1676	1749	68.9	165	4191	4267	168.0
67	1702	1774	69.8	170	4318	4394	173.0
68	1727	1804	71.0	180	4572	4648	183.0
69	1753	1829	72.0	190	4826	4902	193.0
70	1778	1854	73.0	200	5080	5156	203.0
71	1803	1879	74.0	210	5334	5410	213.0
72	1829	1904	75.0				
73	1854	1929	75.9				
74	1880	1954	76.9				
75	1905	1979	77.9				
76	1930	2004	78.9				
77	1956	2029	79.9				
78	1981	2054	80.9				
79	2007	2079	81.9				

Size range: 23" ~ 660"

: Available size for Raw Edge Cogged V-belts BX

# Conventional V-Belts for ARPM / RMA IP-20 Wrapped Type / Raw Edge Cogged Type

## Standard Belt Sizes

C,CX							
Belt Code	Inside length Li (mm)	Outside length (mm)	Outside Length (In.)	Belt Code	Inside length Li (mm)	Outside length (mm)	Outside Length (In.)
40	1016	1119	44.1	102	2591	2692.4	106.0
42	1067	1169	46.0	105	2667	2768.6	109.0
45	1143	1244	49.0	108	2743	2844.8	112.0
48	1219	1324	52.1	110	2794	2895.6	114.0
50	1270	1374	54.1	112	2845	2946.4	116.0
51	1295	1399	55.1	115	2921	3022.6	119.0
52	1321	1424	56.1	118	2997	3098.8	122.0
53	1346	1449	57.0	120	3048	3149.6	124.0
54	1372	1474	58.0	122	3099	3200.4	126.0
55	1397	1499	59.0	125	3175	3276.6	129.0
56	1422	1524	60.0	128	3251	3352.8	132.0
57	1448	1549	61.0	130	3302	3403.6	134.0
58	1473	1574	62.0	132	3353	3454.4	136.0
59	1499	1599	63.0	135	3429	3530.6	139.0
60	1524	1629	64.1	138	3505	3606.8	142.0
61	1549	1654	65.1	140	3556	3657.6	144.0
62	1575	1679	66.1	142	3607	3708.4	146.0
63	1600	1704	67.1	145	3683	3784.6	149.0
64	1626	1729	68.1	148	3759	3860.8	152.0
65	1651	1754	69.1	150	3810	3911.6	154.0
66	1676	1779	70.0	155	3937	4038.6	159.0
67	1702	1804	71.0	160	4064	4165.6	164.0
68	1727	1829	72.0	165	4191	4292.6	169.0
69	1753	1854	73.0	170	4318	4419.6	174.0
70	1778	1879	74.0	180	4572	4673.6	184.0
71	1803	1904	75.0	190	4826	4927.6	194.0
72	1829	1934	76.1	200	5080	5181.6	204.0
73	1854	1959	77.1	210	5334	5435.6	214.0
74	1880	1984	78.1	220	5588	5689.6	224.0
75	1905	2009	79.1	230	5842	5943.6	234.0
76	1930	2034	80.1	240	6096	6197.6	244.0
77	1956	2059	81.1	250	6350	6451.6	254.0
78	1981	2084	82.0	260	6604	6705.6	264.0
79	2007	2109	83.0	270	6858	6959.6	274.0
80	2032	2134	84.0				
81	2057	2159	85.0				
82	2083	2184	86.0				
83	2108	2209	87.0				
84	2134	2234	88.0				
85	2159	2264	89.1				
86	2184	2289	90.1				
87	2210	2311	91.0				
88	2235	2339	92.1				
89	2261	2362	93.0				
90	2286	2389	94.1				
91	2311	2414	95.0				
92	2337	2440	96.1				
93	2362	2464	97.0				
94	2388	2489	98.0				
95	2413	2514	99.0				
96	2438	2539	100.0				
97	2464	2565	101.0				
98	2489	2591	102.0				
99	2515	2616	103.0				
100	2540	2642	104.0				

Size range: 37" ~ 660"

: Available size for Raw Edge Cogged V-Belts CX

# Conventional V-Belts for ARPM / RMA IP-20 Wrapped Type / Raw Edge Cogged Type

## Standard Belt Sizes

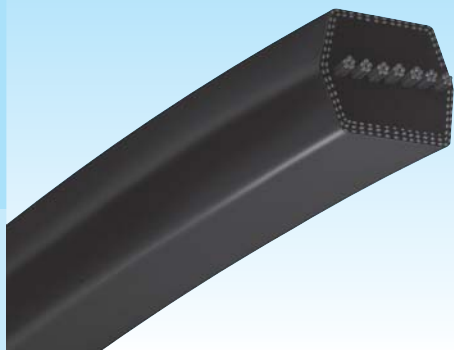
D		
Belt Code	Inside length Li (mm)	Outside Length (In.)
100	2540	105.1
105	2667	110.1
110	2794	115.1
115	2921	120.1
120	3048	125.1
125	3175	130.1
130	3302	135.1
135	3429	140.1
140	3556	145.1
145	3683	150.1
150	3810	155.1
155	3937	160.1
160	4064	165.1
165	4191	170.1
170	4318	175.1
180	4572	185.1
190	4826	195.1
200	5080	205.1
210	5334	215.1
220	5588	222.6
230	5842	232.6
240	6096	242.6
250	6350	252.6
260	6604	262.6
270	6858	272.6
280	7112	282.6
300	7620	302.6
310	7874	312.6
330	8382	332.6
360	9144	362.6

Size range: 100" ~ 660"

E		
Belt Code	Inside length Li (mm)	Outside Length (In.)
180	4572	186.2
210	5334	216.2
240	6096	243.2
270	6858	273.2
300	7620	303.2
330	8382	333.2
360	9144	363.2
390	9906	393.2
420	10668	423.2

Size range: 144" ~ 660"

# Hexagonal V-belt



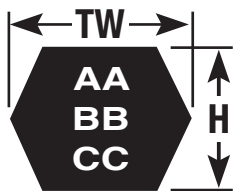
- For drives where power must be transmitted by both the top and bottom of the belt.
- Belts flex equally well in both directions for positive pulley contact.
- Good for serpentine or reverse bend drives.
- Oil and heat resistant, static conductive.

Product Code

**AA - 105**

Double Angle A Section

Belt Code, 105 inches



	TW	H
AA	1/2 in - 12.7 mm	13/32 in - 10.2 mm
BB	21/32 in - 16.7 mm	17/32 in - 13.4 mm
CC	7/8 in - 22.2 mm	11/16 in - 17.4 mm

AA				BB				CC			
Belt No.	Outside Length (Inch)	Belt No.	Outside Length (Inch)	Belt No.	Outside Length (Inch)	Belt No.	Outside Length (Inch)	Belt No.	Outside Length (Inch)	Belt No.	Outside Length (Inch)
AA 51	54.4	AA 92	95.4	BB 43	47.6	BB 155	159.6	CC 75	81.4	CC 162	168.4
AA 55	58.4	AA 96	99.4	BB 45	49.6	BB 157	161.6	CC 81	87.4	CC 173	179.4
AA 60	63.4	AA 105	108.4	BB 51	55.6	BB 158	162.6	CC 85	91.4	CC 180	186.4
AA 62	65.4	AA 107	110.4	BB 53	57.6	BB 162	166.6	CC 90	96.4	CC 195	201.4
AA 64	67.4	AA 112	115.4	BB 54	58.6	BB 168	172.6	CC 96	102.4	CC 210	216.4
AA 66	69.4	AA 120	123.4	BB 55	59.6	BB 169	173.6	CC 105	111.4	CC 221	227.4
AA 68	71.4	AA 128	131.4	BB 60	64.6	BB 173	177.6	CC 112	118.4	CC 225	229.4
AA 70	73.4			BB 68	72.6	BB 180	184.6	CC 119	125.4	CC 240	244.4
AA 73	76.4			BB 71	75.6	BB 182	186.6	CC 120	126.4	CC 255	259.4
AA 75	78.4			BB 72	76.6	BB 190	194.6	CC 125	131.4	CC 270	274.4
AA 78	81.4			BB 73	77.6	BB 195	199.6	CC 128	134.4	CC 300	304.4
AA 80	83.4			BB 74	78.6	BB 210	214.6	CC 136	142.4	CC 330	334.4
AA 84	87.4			BB 75	79.6	BB 225	228.1	CC 144	150.4	CC 360	364.4
AA 85	88.4			BB 76	80.6	BB 226	229.1	CC 148	154.4	CC 390	394.4
AA 90	93.4			BB 77	81.6	BB 228	231.1	CC 158	164.4	CC 420	424.4
				BB 78	82.6	BB 230	233.1				
				BB 81	85.6	BB 240	243.1				
				BB 83	87.6	BB 255	258.1				
				BB 85	89.6	BB 267	270.1				
				BB 90	94.6	BB 270	273.1				
				BB 92	96.6	BB 273	276.1				
				BB 93	97.6	BB 277	280.1				
				BB 94	98.6	BB 278	281.1				
				BB 95	99.6	BB 285	288.1				
				BB 96	100.6	BB 300	303.1				
				BB 97	101.6	BB 330	333.1				
				BB 103	107.6						
				BB 105	109.6						
				BB 107	111.6						
				BB 108	112.6						
				BB 111	115.6						
				BB 112	116.6						
				BB 116	120.6						
				BB 117	121.6						
				BB 118	122.6						
				BB 119	123.6						
				BB 120	124.6						
				BB 123	127.6						
				BB 124	128.6						
				BB 128	132.6						
				BB 129	133.6						
				BB 130	134.6						
				BB 136	140.6						
				BB 140	144.6						
				BB 144	148.6						