

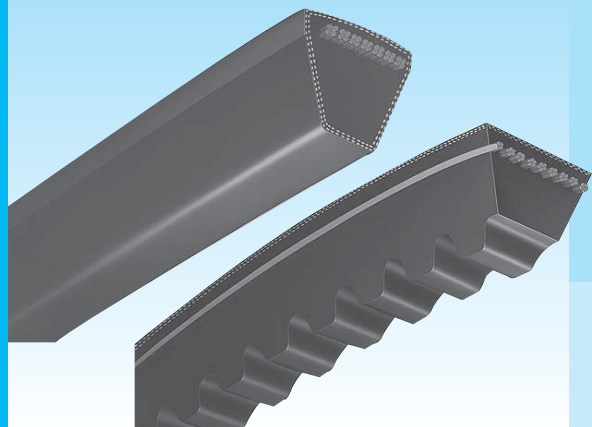
MITSUBISHI

INDUSTRIAL POWER TRANSMISSION PRODUCTS CONVEYOR BELTS ENGINEERING PLASTIC



To give attentive consideration to both productivity and nature.

All sizes of Mitsubishi Conventional V-belts respectively meet the dimensional requirements as stated in ARPM/RMA IP-20.



Narrow V-belts Wrapped Type / Raw Edge Cogged Type

Narrow V-belts enable space saving, high speed drive, and reduced cost of operating and maintenance. It features oil / heat resistance and electrical conductivity.

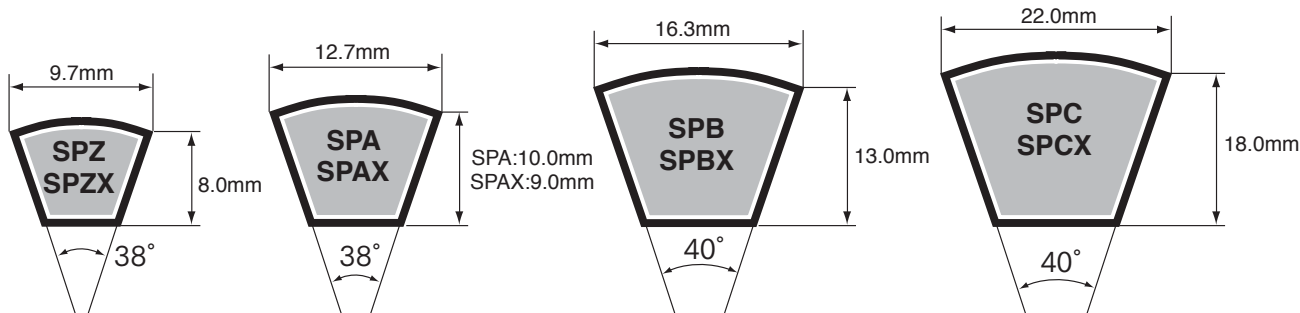
Product Code

SPZ-1000-Lw

Cross Section Datum
Datum Length (mm)

Cross-Sectional Dimensions

Note: All sizes of Mitsubishi V-belts respectively meet the dimensional requirements as stated in DIN 7753/ISO1484 shown below.



Standard Belt Sizes

SPZ(SPZX)				SPA(SPAX)				SPB(SPBX)				SPC(SPXC)	
Datum length Ld(mm)	Outer length La(mm)	Datum length Ld(mm)	Outer length La(mm)	Datum length Ld(mm)	Outer length La(mm)	Datum length Ld(mm)	Outer length La(mm)	Datum length Ld(mm)	Outer length La(mm)	Datum length Ld(mm)	Outer length La(mm)	Datum length Ld(mm)	Outer length La(mm)
487	500	1400	1413	732	750	1932	1950	1250	1272	4296	4318	2000	2030
512	525	1412	1425	742	760	1957	1975	1320	1342	4310	4332	2120	2150
562	575	1420	1433	757	775	1982	2000	1340	1362	4318	4340	2360	2390
587	600	1437	1450	782	800	2000	2018	1400	1422	4370	4392	2500	2530
612	625	1462	1475	800	818	2032	2050	1410	1432	4500	4522	3100	3130
630	643	1487	1500	807	825	2057	2075	1500	1522	4560	4582	3150	3180
637	650	1500	1513	832	850	2082	2100	1510	1532	4600	4622	3200	3230
662	675	1512	1525	850	868	2120	2138	1590	1612	4620	4642	3220	3250
670	683	1520	1533	857	875	2132	2150	1600	1622	4720	4742	3320	3350
687	700	1537	1550	882	900	2182	2200	1690	1712	4750	4772	3350	3380
710	723	1562	1575	900	918	2232	2250	1700	1722	4820	4842	3375	3405
722	735	1587	1600	907	925	2240	2258	1750	1772	4870	4892	3420	3450
737	750	1600	1613	932	950	2307	2325	1800	1822	5000	5022	3430	3460
750	763	1612	1625	950	968	2360	2378	1850	1872	5070	5092	3450	3480
760	773	1637	1650	957	975	2432	2450	1900	1922	5300	5322	3500	3530
762	775	1662	1675	967	985	2482	2500	1950	1972	5380	5402	3520	3550
772	785	1687	1700	982	1000	2500	2518	2000	2022	5500	5522	3550	3580
787	800	1700	1713	1000	1018	2607	2625	2030	2052	5600	5622	3600	3630
800	813	1737	1750	1032	1050	2650	2668	2060	2082	5680	5702	3620	3650
812	825	1762	1775	1057	1075	2800	2818	2120	2142	5800	5822	3670	3700
825	838	1787	1800	1082	1100	3000	3018	2150	2172	5990	6012	3700	3730
837	850	1800	1813	1107	1125	3082	3100	2180	2202	6000	6022	3750	3780
850	863	1812	1825	1120	1138	3132	3150	2240	2262	6300	6322	3770	3800
862	875	1837	1850	1132	1150	3150	3168	2280	2302	6340	6362	3800	3830
875	888	1862	1875	1157	1175	3182	3200	2310	2332	6700	6722	3810	3840
887	900	1887	1900	1182	1200	3282	3300	2360	2382	6720	6742	3970	4000
900	913	1900	1913	1207	1225	3350	3368	2410	2432	7100	7122	4000	4030
912	925	1937	1950	1232	1250	3382	3400	2425	2447	7500	7522	4080	4110
925	938	1987	2000	1250	1268	3482	3500	2500	2522	8000	8022	4100	4130
937	950	2000	2013	1257	1275	3500	3518	2530	2552	8500	8522	4200	4230
950	963	2030	2043	1272	1290	3550	3568	2680	2702	9000	9022	4250	4280
962	975	2037	2050	1282	1300	3650	3668	2800	2822			4300	4330
987	1000	2087	2100	1300	1318	3750	3768	2840	2862			4350	4380
1000	1013	2120	2133	1307	1325	3870	3888	3000	3022			4380	4410
1010	1023	2137	2150	1320	1338	4000	4018	3070	3092			4400	4430
1012	1025	2160	2173	1332	1350	4120	4138	3150	3172			4420	4450
1024	1037	2187	2200	1357	1375	4250	4268	3170	3192			4445	4475
1037	1050	2200	2213	1367	1385	4300	4318	3175	3197			4450	4480
1047	1060	2240	2253	1382	1400	4500	4518	3200	3222			4500	4530
1060	1073	2280	2293	1400	1418	4600	4618	3238	3260			4530	4560
1077	1090	2337	2350	1407	1425	4750	4768	3250	3272			4650	4680
1080	1093	2410	2423	1432	1450	4865	4883	3280	3302			4720	4750
1087	1100	2500	2513	1457	1475	5000	5018	3328	3350			4750	4780
1100	1113	2540	2553	1482	1500			3340	3362			4850	4880
1112	1125	2650	2663	1500	1518			3350	3372			4900	4930
1120	1133	2690	2703	1507	1525			3400	3422			4970	5000
1137	1150	2840	2853	1550	1568			3412	3434			5000	5030
1140	1153	3070	3083	1557	1575			3425	3447			5030	5060
1162	1175	3150	3163	1582	1600			3450	3472			5070	5100
1180	1193	3170	3183	1600	1618			3500	3522			5200	5230
1187	1200	3200	3213	1607	1625			3550	3572			5300	5330
1200	1213	3250	3263	1632	1650			3650	3672			5330	5360
1202	1215	3350	3363	1657	1675			3675	3697			5400	5430
1212	1225	3450	3463	1682	1700			3700	3722			5500	5530
1237	1250	3550	3563	1700	1718			3750	3772			5600	5630
1250	1263	3660	3673	1707	1725			3770	3792			5700	5730
1262	1275	3750	3763	1732	1750			3800	3822			6000	6030
1270	1283	4000	4013	1757	1775			3850	3872			6200	6230
1287	1300	4500	4513	1782	1800			3870	3892			6300	6330
1300	1313			1800	1818			3875	3897			6480	6510
1312	1325			1807	1825			4000	4022			6500	6530
1320	1333			1832	1850			4060	4082			6700	6730
1337	1350			1857	1875			4100	4122				
1340	1353			1882	1900			4120	4142				
1362	1375			1900	1918			4250	4272				
1387	1400			1907	1925			4260	4282				

: Available size for Raw Edge Cogged V-belts SPZX, SPAX, SPBX, SPCX.

up to 10000

up to 12500