

MITSUBISHI

INDUSTRIAL POWER TRANSMISSION PRODUCTS CONVEYOR BELTS ENGINEERING PLASTIC



To give attentive consideration to both productivity and nature.

All sizes of Mitsubishi Conventional V-belts respectively meet the dimensional requirements as stated in ARPM/RMA IP-20.

MAXSTAR WEDGE V-belts (Wrapped Type) MAXSTAR WEDGE SUPREME (Raw Edge Cogged Type)

Maxstar Wedge V-belts have double the power transmission capacity of Conventional V-belts due to greater wedge effect. It features high speed transmission, energy saving, and compact design.

Product Code

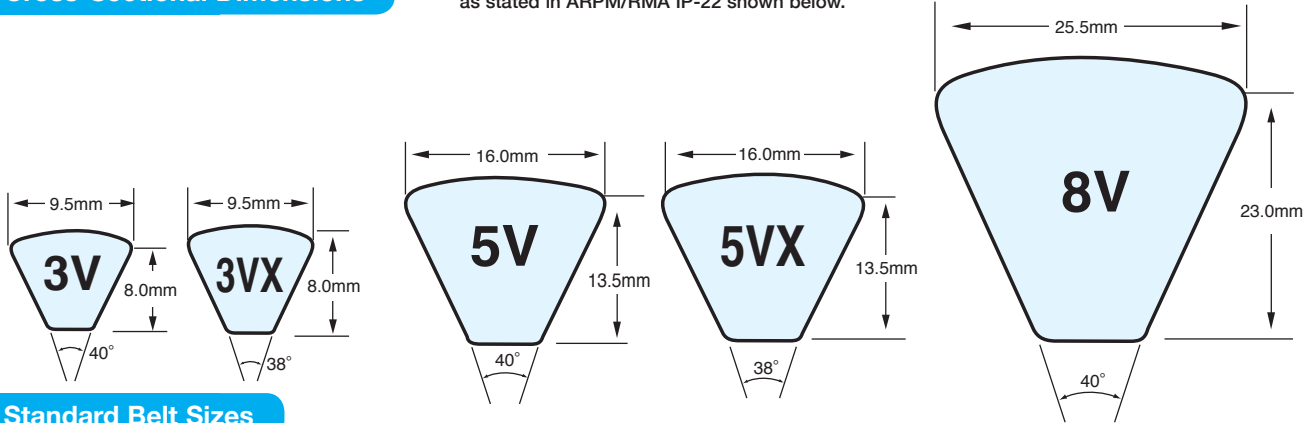
5V—2500

Cross Section

Belt Code (inch x10)

Cross-Sectional Dimensions

Note: All sizes of Mitsubishi V-belts respectively meet the dimensional requirements as stated in ARPM/RMA IP-22 shown below.



Standard Belt Sizes

3V-3VX		5V-5VX		8V	
Belt Code	Effective length Le (mm)	Belt Code	Effective length Le (mm)	Belt Code	Effective length Le (mm)
250	635	500	1270	1000	2540
265	673	530	1346	1060	2692
280	711	560	1422	1120	2845
300	762	600	1524	1180	2997
315	800	630	1600	1250	3175
335	851	670	1702	1320	3353
355	902	710	1803	1400	3556
375	953	750	1905	1500	3810
400	1016	800	2032	1600	4064
425	1080	850	2159	1700	4318
450	1143	900	2286	1800	4572
475	1207	950	2413	1900	4826
500	1270	1000	2540	2000	5080
530	1346	1060	2692	2120	5385
560	1422	1120	2845	2240	5690
600	1524	1180	2997	2360	5994
630	1600	1250	3175	2500	6350
670	1702	1320	3353	2650	6731
710	1803	1400	3556	2800	7112
750	1905	1500	3810	3000	7620
800	2032	1600	4064	3150	8001
850	2159	1700	4318	3350	8509
900	2286	1800	4572	3550	9017
950	2413	1900	4826	3750	9525
1000	2540	2000	5080	4000	10160
1060	2692	2120	5385	4250	10795
1120	2845	2240	5690	4500	11430
1180	2997	2360	5994	4750	12065
1250	3175	2500	6350	5000	12700
1320	3353	2650	6731	5600	14224
1400	3556	2800	7112	6000	15240
		3000	7620		
		3150	8001		
		3350	8509		
		3550	9017		

: Available size for Raw Edge Cogged V-belts 3VX & 5VX