

# MITSUBISHI

## INDUSTRIAL POWER TRANSMISSION PRODUCTS CONVEYOR BELTS ENGINEERING PLASTIC

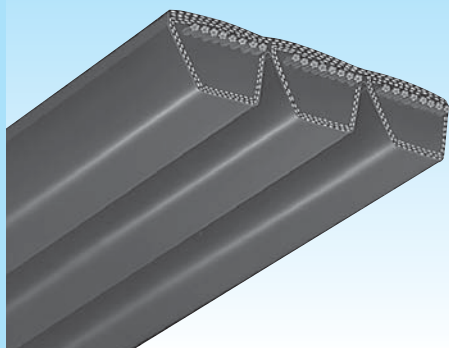


To give attentive consideration to both quality and nature.

All sizes of Mitsubishi Conventional V-belts respectively meet the dimensional requirements as stated in ARPM/RMA IP-20.

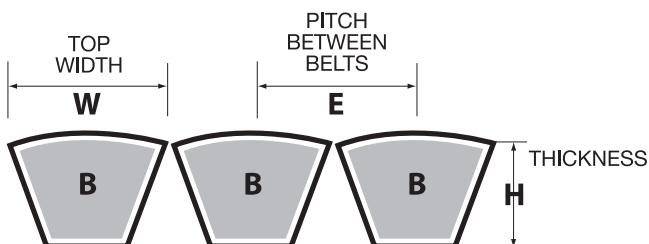
# Conventional V-belts Banded

All the quality features and benefits of single belts - Plus.



- Designed for tough applications where multiple drive belts are subject to heavy shock and pulsating loads.
- Banding prevents belt whip, belt turnover, vibration and jumping off that may occur with single belts in multiple drive applications.
- Lateral rigidity keeps the belt running in a straight line as it enters the pulley grooves during strong pulsating or shock loads for reduced wear.
- Frictional and wedging principles of the V-Belt drive apply and prevent slip at low tension and low bearing loads.

## Cross-Sectional Dimensions



## Product Code

**3R - B - 144**

3 Ribs      Cross Section      Belt Code, 144.0 inches

Belt Section	Top Width W (Inches)	Thickness H (Inches)	Pitch Between Belts E (Inches)
B	.66	.51	.75
C	.88	.63	1.00
D	1.25	.85	1.46

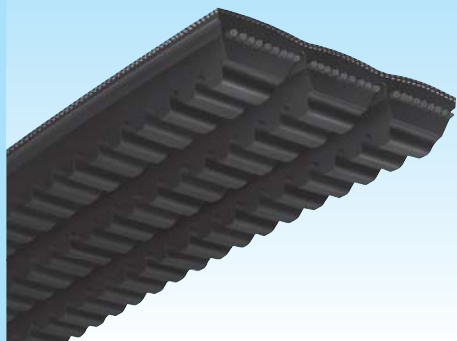
B											
Belt No.	Outside Length (Inch)	Belt No.	Outside Length (Inch)	Belt No.	Outside Length (Inch)	Belt No.	Outside Length (Inch)	Belt No.	Outside Length (Inch)	Belt No.	Outside Length (Inch)
2R B 55	57.8	2R B 71	73.8	2R B 83	85.8	2R B 100	102.8	2R B 120	122.8	2R B 180	182.8
3R B 55	57.8	3R B 71	73.8	3R B 83	85.8	3R B 100	102.8	3R B 120	122.8	3R B 180	182.8
4R B 55	57.8	4R B 71	73.8	4R B 83	85.8	4R B 100	102.8	4R B 120	122.8	4R B 180	182.8
5R B 55	57.8	5R B 71	73.8	5R B 83	85.8	5R B 100	102.8	5R B 120	122.8	5R B 180	182.8
2R B 60	62.8	2R B 72	74.8	2R B 85	87.8	2R B 103	105.8	2R B 124	126.8	2R B 195	197.8
3R B 60	62.8	3R B 72	74.8	3R B 85	87.8	3R B 103	105.8	3R B 124	126.8	3R B 195	197.8
4R B 60	62.8	4R B 72	74.8	4R B 85	87.8	4R B 103	105.8	4R B 124	126.8	4R B 195	197.8
5R B 60	62.8	5R B 72	74.8	5R B 85	87.8	5R B 103	105.8	5R B 124	126.8	5R B 195	197.8
2R B 61	63.8	2R B 73	75.8	2R B 86	88.8	2R B 104	106.8	2R B 128	130.8	2R B 210	212.8
3R B 61	63.8	3R B 73	75.8	3R B 86	88.8	3R B 104	106.8	3R B 128	130.8	3R B 210	212.8
4R B 61	63.8	4R B 73	75.8	4R B 86	88.8	4R B 104	106.8	4R B 128	130.8	4R B 210	212.8
5R B 61	63.8	5R B 73	75.8	5R B 86	88.8	5R B 104	106.8	5R B 128	130.8	5R B 210	212.8
2R B 62	64.8	2R B 74	76.8	2R B 87	89.8	2R B 105	107.8	2R B 133	135.8	2R B 225	226.3
3R B 62	64.8	3R B 74	76.8	3R B 87	89.8	3R B 105	107.8	3R B 133	135.8	3R B 225	226.3
4R B 62	64.8	4R B 74	76.8	4R B 87	89.8	4R B 105	107.8	4R B 133	135.8	4R B 225	226.3
5R B 62	64.8	5R B 74	76.8	5R B 87	89.8	5R B 105	107.8	5R B 133	135.8	5R B 225	226.3
2R B 63	65.8	2R B 75	77.8	2R B 88	90.8	2R B 107	109.8	2R B 136	138.8	2R B 240	241.3
3R B 63	65.8	3R B 75	77.8	3R B 88	90.8	3R B 107	109.8	3R B 136	138.8	3R B 240	241.3
4R B 63	65.8	4R B 75	77.8	4R B 88	90.8	4R B 107	109.8	4R B 136	138.8	4R B 240	241.3
5R B 63	65.8	5R B 75	77.8	5R B 88	90.8	5R B 107	109.8	5R B 136	138.8	5R B 240	241.3
2R B 64	66.8	2R B 77	79.8	2R B 90	92.8	2R B 108	110.8	2R B 144	146.8	2R B 255	256.3
3R B 64	66.8	3R B 77	79.8	3R B 90	92.8	3R B 108	110.8	3R B 144	146.8	3R B 255	256.3
4R B 64	66.8	4R B 77	79.8	4R B 90	92.8	4R B 108	110.8	4R B 144	146.8	4R B 255	256.3
5R B 64	66.8	5R B 77	79.8	5R B 90	92.8	5R B 108	110.8	5R B 144	146.8	5R B 255	256.3
2R B 65	67.8	2R B 78	80.8	2R B 93	95.8	2R B 110	112.8	2R B 148	150.8	2R B 270	271.3
3R B 65	67.8	3R B 78	80.8	3R B 93	95.8	3R B 110	112.8	3R B 148	150.8	3R B 270	271.3
4R B 65	67.8	4R B 78	80.8	4R B 93	95.8	4R B 110	112.8	4R B 148	150.8	4R B 270	271.3
5R B 65	67.8	5R B 78	80.8	5R B 93	95.8	5R B 110	112.8	5R B 148	150.8	5R B 270	271.3
2R B 66	68.8	2R B 79	81.8	2R B 95	97.8	2R B 111	113.8	2R B 150	152.8	2R B 285	286.3
3R B 66	68.8	3R B 79	81.8	3R B 95	97.8	3R B 111	113.8	3R B 150	152.8	3R B 285	286.3
4R B 66	68.8	4R B 79	81.8	4R B 95	97.8	4R B 111	113.8	4R B 150	152.8	4R B 285	286.3
5R B 66	68.8	5R B 79	81.8	5R B 95	97.8	5R B 111	113.8	5R B 150	152.8	5R B 285	286.3
2R B 67	69.8	2R B 80	82.8	2R B 96	98.8	2R B 112	114.8	2R B 158	160.8	2R B 300	301.3
3R B 67	69.8	3R B 80	82.8	3R B 96	98.8	3R B 112	114.8	3R B 158	160.8	3R B 300	301.3
4R B 67	69.8	4R B 80	82.8	4R B 96	98.8	4R B 112	114.8	4R B 158	160.8	4R B 300	301.3
5R B 67	69.8	5R B 80	82.8	5R B 96	98.8	5R B 112	114.8	5R B 158	160.8	5R B 300	301.3
2R B 68	70.8	2R B 81	83.8	2R B 97	99.8	2R B 114	116.8	2R B 162	164.8	2R B 315	316.3
3R B 68	70.8	3R B 81	83.8	3R B 97	99.8	3R B 114	116.8	3R B 162	164.8	3R B 315	316.3
4R B 68	70.8	4R B 81	83.8	4R B 97	99.8	4R B 114	116.8	4R B 162	164.8	4R B 315	316.3
5R B 68	70.8	5R B 81	83.8	5R B 97	99.8	5R B 114	116.8	5R B 162	164.8	5R B 315	316.3
2R B 70	72.8	2R B 82	84.8	2R B 99	101.8	2R B 115	117.8	2R B 173	175.8		
3R B 70	72.8	3R B 82	84.8	3R B 99	101.8	3R B 115	117.8	3R B 173	175.8		
4R B 70	72.8	4R B 82	84.8	4R B 99	101.8	4R B 115	117.8	4R B 173	175.8		
5R B 70	72.8	5R B 82	84.8	5R B 99	101.8	5R B 115	117.8	5R B 173	175.8		

# Conventional V-belts Banded

C						D					
Belt No.	Outside Length (Inch)	Belt No.	Outside Length (Inch)	Belt No.	Outside Length (Inch)	Belt No.	Outside Length (Inch)	Belt No.	Outside Length (Inch)	Belt No.	Outside Length (Inch)
2R C 68	72.2	2R C 112	116.2	2R C 240	242.2	3R D 120	125.2	3R D 225	227.7	3R D 360	362.7
3R C 68	72.2	3R C 112	116.2	3R C 240	242.2	4R D 120	125.2	4R D 225	227.7	4R D 360	362.7
4R C 68	72.2	4R C 112	116.2	4R C 240	242.2	5R D 120	125.2	5R D 225	227.7	5R D 360	362.7
5R C 68	72.2	5R C 112	116.2	5R C 240	242.2						
						3R D 128	133.2	3R D 240	242.7	3R D 390	392.7
2R C 71	75.2	2R C 120	124.2	2R C 255	257.2	4R D 128	133.2	4R D 240	242.7	4R D 390	392.7
3R C 71	75.2	3R C 120	124.2	3R C 255	257.2	5R D 128	133.2	5R D 240	242.7	5R D 390	392.7
4R C 71	75.2	4R C 120	124.2	4R C 255	257.2						
5R C 71	75.2	5R C 120	124.2	5R C 255	257.2						
						3R D 144	149.2	3R D 255	257.7	3R D 420	422.7
2R C 75	79.2	2R C 124	128.2	2R C 270	272.2	4R D 144	149.2	4R D 255	257.7	4R D 420	422.7
3R C 75	79.2	3R C 124	128.2	3R C 270	272.2	5R D 144	149.2	5R D 255	257.7	5R D 420	422.7
4R C 75	79.2	4R C 124	128.2	4R C 270	272.2						
5R C 75	79.2	5R C 124	128.2	5R C 270	272.2	3R D 158	163.2	3R D 270	272.7	3R D 450	452.7
						4R D 158	163.2	4R D 270	272.7	4R D 450	452.7
						5R D 158	163.2	5R D 270	272.7	5R D 450	452.7
2R C 81	85.2	2R C 128	132.2	2R C 285	287.2						
3R C 81	85.2	3R C 128	132.2	3R C 285	287.2	3R D 162	167.2	3R D 285	287.7	3R D 480	482.7
4R C 81	85.2	4R C 128	132.2	4R C 285	287.2	4R D 162	167.2	4R D 285	287.7	4R D 480	482.7
5R C 81	85.2	5R C 128	132.2	5R C 285	287.2	5R D 162	167.2	5R D 285	287.7	5R D 480	482.7
2R C 85	89.2	2R C 136	140.2	2R C 300	302.2	3R D 173	178.2	3R D 300	302.7	3R D 540	542.7
3R C 85	89.2	3R C 136	140.2	3R C 300	302.2	4R D 173	178.2	4R D 300	302.7	4R D 540	542.7
4R C 85	89.2	4R C 136	140.2	4R C 300	302.2	5R D 173	178.2	5R D 300	302.7	5R D 540	542.7
5R C 85	89.2	5R C 136	140.2	5R C 300	302.2						
						3R D 180	185.2	3R D 315	317.7	3R D 600	602.7
2R C 90	94.2	2R C 144	148.2	2R C 315	317.2	4R D 180	185.2	4R D 315	317.7	4R D 600	602.7
3R C 90	94.2	3R C 144	148.2	3R C 315	317.2	5R D 180	185.2	5R D 315	317.7	5R D 600	602.7
4R C 90	94.2	4R C 144	148.2	4R C 315	317.2						
5R C 90	94.2	5R C 144	148.2	5R C 315	317.2						
						3R D 195	200.2	3R D 330	332.7	3R D 660	662.7
2R C 96	100.2	2R C 158	162.2	2R C 330	332.2	4R D 195	200.2	4R D 330	332.7	4R D 660	662.7
3R C 96	100.2	3R C 158	162.2	3R C 330	332.2	5R D 195	200.2	5R D 330	332.7	5R D 660	662.7
4R C 96	100.2	4R C 158	162.2	4R C 330	332.2						
5R C 96	100.2	5R C 158	162.2	5R C 330	332.2						
						3R D 210	215.2	3R D 345	347.7		
2R C 97	101.2	2R C 162	166.2	2R C 345	347.2	4R D 210	215.2	4R D 345	347.7		
3R C 97	101.2	3R C 162	166.2	3R C 345	347.2	5R D 210	215.2	5R D 345	347.7		
4R C 97	101.2	4R C 162	166.2	4R C 345	347.2						
5R C 97	101.2	5R C 162	166.2	5R C 345	347.2						
2R C 99	103.2	2R C 173	177.2	2R C 360	362.2						
3R C 99	103.2	3R C 173	177.2	3R C 360	362.2						
4R C 99	103.2	4R C 173	177.2	4R C 360	362.2						
5R C 99	103.2	5R C 173	177.2	5R C 360	362.2						
2R C 100	104.2	2R C 180	184.2	2R C 390	392.2						
3R C 100	104.2	3R C 180	184.2	3R C 390	392.2						
4R C 100	104.2	4R C 180	184.2	4R C 390	392.2						
5R C 100	104.2	5R C 180	184.2	5R C 390	392.2						
2R C 105	109.2	2R C 195	199.2	2R C 420	422.2						
3R C 105	109.2	3R C 195	199.2	3R C 420	422.2						
4R C 105	109.2	4R C 195	199.2	4R C 420	422.2						
5R C 105	109.2	5R C 195	199.2	5R C 420	422.2						
2R C 108	112.2	2R C 210	214.2								
3R C 108	112.2	3R C 210	214.2								
4R C 108	112.2	4R C 210	214.2								
5R C 108	112.2	5R C 210	214.2								
2R C 109	113.2	2R C 225	227.2								
3R C 109	113.2	3R C 225	227.2								
4R C 109	113.2	4R C 225	227.2								
5R C 109	113.2	5R C 225	227.2								

# TRIPLEX Rawedge Cogged Banded

All the quality features and benefits of single belts - Plus.



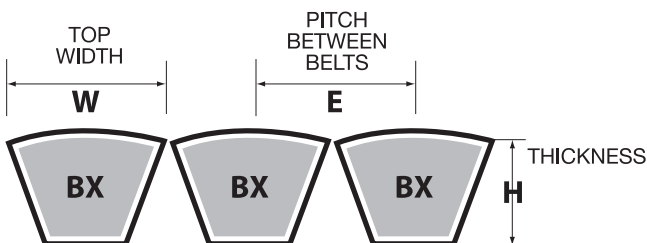
- Designed for tough applications where multiple drive belts are subject to heavy shock and pulsating loads.
- Banding prevents belt whip, belt turnover, vibration and jumping off that may occur with single belts in multiple drive applications.
- Lateral rigidity keeps the belt running in a straight line as it enters the pulley grooves during strong pulsating or shock loads for reduced wear.
- Frictional and wedging principles of the V-Belt drive apply and prevent slip at low tension and low bearing loads.

## Cross-Sectional Dimensions

### Product Code

**3R - BX - 144**

3 Ribs  
Cross Section  
Rawedge Cogged Construction  
Belt Code, 144.0 inches



Belt Section	Top Width W (Inches)	Thickness H (Inches)	Pitch Between Belts E (Inches)
B	.66	.51	.75
C	.88	.63	1.00

BX					
Belt No.	Outside Length (Inch)	Belt No.	Outside Length (Inch)	Belt No.	Outside Length (Inch)
2R BX 97	99.8	2R BX 128	130.8	2R BX 180	182.8
3R BX 97	99.8	3R BX 128	130.8	3R BX 180	182.8
4R BX 97	99.8	4R BX 128	130.8	4R BX 180	182.8
5R BX 97	99.8	5R BX 128	130.8	5R BX 180	182.8
2R BX 105	107.8	2R BX 144	146.8	2R BX 195	197.8
3R BX 105	107.8	3R BX 144	146.8	3R BX 195	197.8
4R BX 105	107.8	4R BX 144	146.8	4R BX 195	197.8
5R BX 105	107.8	5R BX 144	146.8	5R BX 195	197.8
2R BX 112	114.8	2R BX 158	160.8	2R BX 210	212.8
3R BX 112	114.8	3R BX 158	160.8	3R BX 210	212.8
4R BX 112	114.8	4R BX 158	160.8	4R BX 210	212.8
5R BX 112	114.8	5R BX 158	160.8	5R BX 210	212.8
2R BX 120	122.8	2R BX 173	175.8	2R BX 240	242.8
3R BX 120	122.8	3R BX 173	175.8	3R BX 240	242.8
4R BX 120	122.8	4R BX 173	175.8	4R BX 240	242.8
5R BX 120	122.8	5R BX 173	175.8	5R BX 240	242.8

CX					
Belt No.	Outside Length (Inch)	Belt No.	Outside Length (Inch)	Belt No.	Outside Length (Inch)
2R CX 96	100.2	2R CX 144	148.2	2R CX 195	199.2
3R CX 96	100.2	3R CX 144	148.2	3R CX 195	199.2
4R CX 96	100.2	4R CX 144	148.2	4R CX 195	199.2
5R CX 96	100.2	5R CX 144	148.2	5R CX 195	199.2
2R CX 105	109.2	2R CX 158	162.2	2R CX 210	214.2
3R CX 105	109.2	3R CX 158	162.2	3R CX 210	214.2
4R CX 105	109.2	4R CX 158	162.2	4R CX 210	214.2
5R CX 105	109.2	5R CX 158	162.2	5R CX 210	214.2
2R CX 107	111.2	2R CX 162	166.2	2R CX 225	229.2
3R CX 107	111.2	3R CX 162	166.2	3R CX 225	229.2
4R CX 107	111.2	4R CX 162	166.2	4R CX 225	229.2
5R CX 107	111.2	5R CX 162	166.2	5R CX 225	229.2
2R CX 112	116.2	2R CX 173	177.2	2R CX 240	242.2
3R CX 112	116.2	3R CX 173	177.2	3R CX 240	242.2
4R CX 112	116.2	4R CX 173	177.2	4R CX 240	242.2
5R CX 112	116.2	5R CX 173	177.2	5R CX 240	242.2
2R CX 120	124.2	2R CX 180	184.2		
3R CX 120	124.2	3R CX 180	184.2		
4R CX 120	124.2	4R CX 180	184.2		
5R CX 120	124.2	5R CX 180	184.2		
2R CX 128	132.2	2R CX 187	191.2		
3R CX 128	132.2	3R CX 187	191.2		
4R CX 128	132.2	4R CX 187	191.2		
5R CX 128	132.2	5R CX 187	191.2		